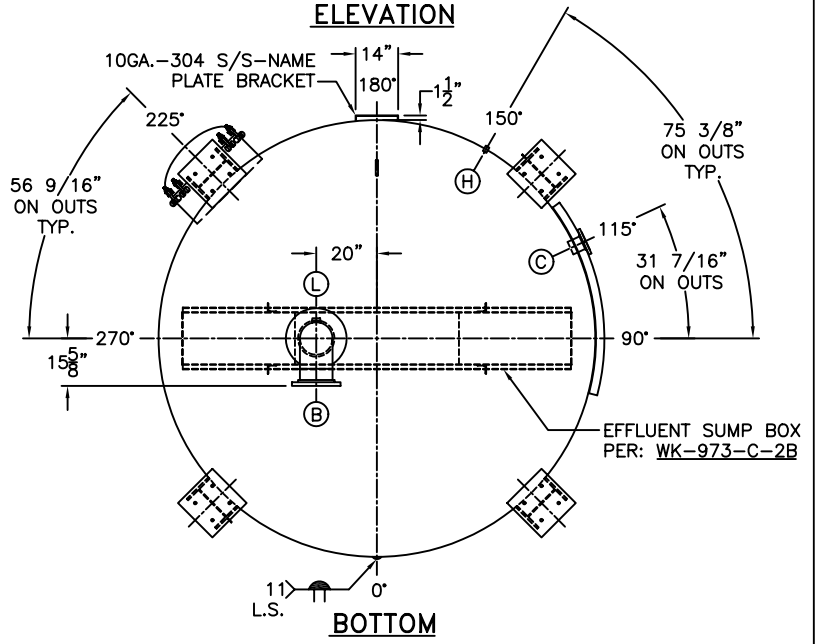
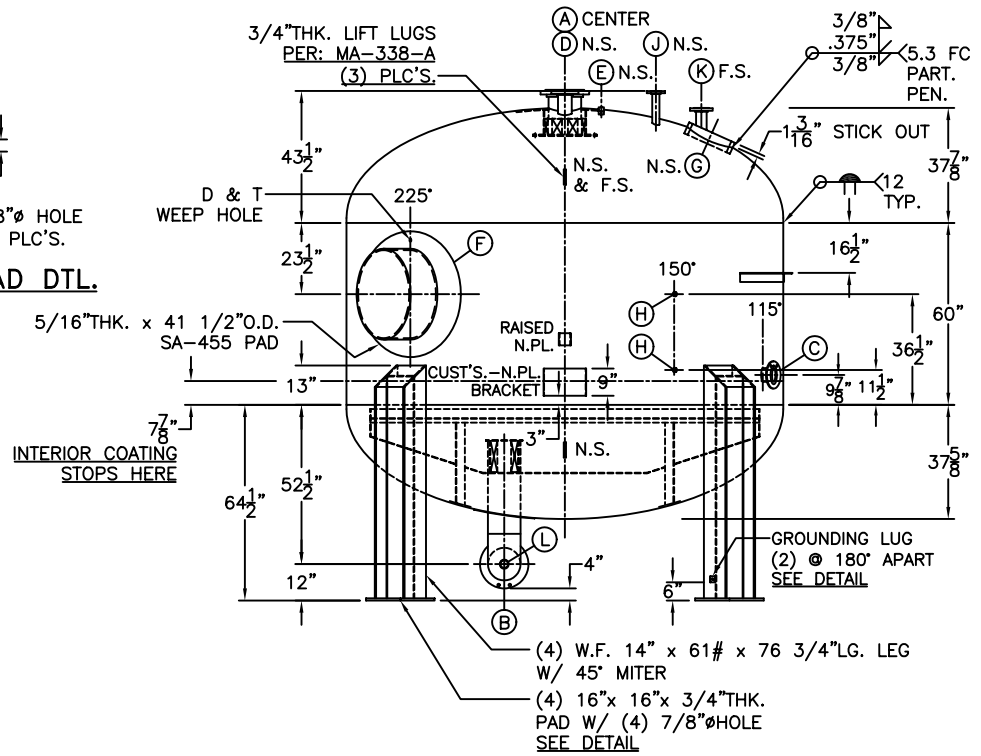
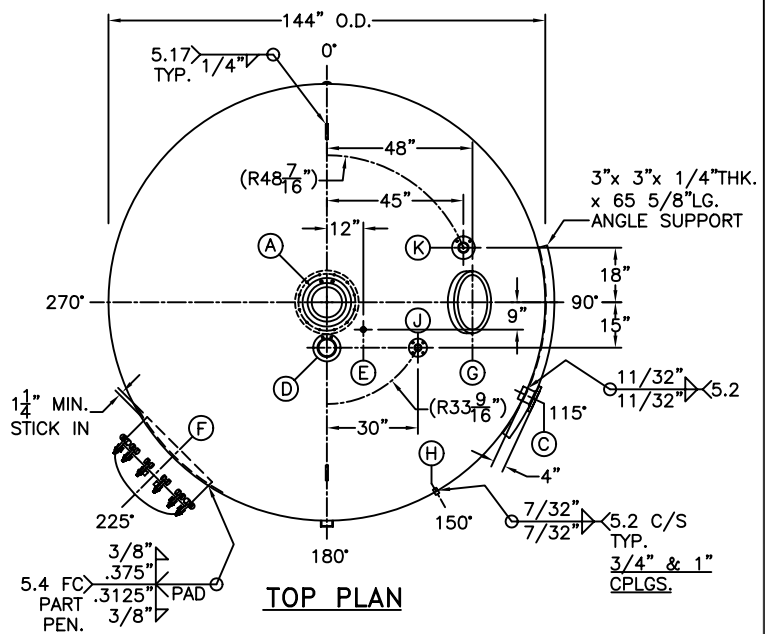
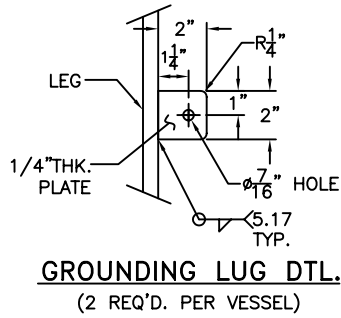
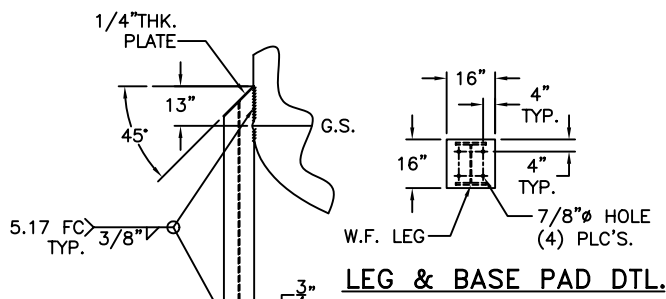


ITEM	QTY.	DESCRIPTION	FUNCTION
A	1	10"-150# LAP JOINT C/S FLG. W/ SCH. 80 C/S ASA LAP JOINT STUB END x 10"LG. W/ 316L S/S DIFFUSER W/ 316L S/S BLIND.	FEED WATER
B	1	10"-150# F.F.S.O. 316L S/S FLG. W/ SCH. 40 316L S/S PIPE x 5 3/8"LG. W/ SCH. 40-90° S.R. 316L S/S ELL. W/ SCH. 40 316L S/S PIPE x 30 1/2"LG. W/ 1/4"THK. x 12"DIA. 316L S/S PLATE W/ (L) 2"-3000# 316L S/S ELBOLET W/ .200"THK. x 20"O.D. SA-455 PAD	TREATED WATER
C	1	4"-150# R.F.S.O. C/S FLG. W/ SCH. 80 C/S PIPE x 5 5/16"LG.	MEDIA REMOVAL
D	1	4"-150# R.F.S.O. C/S FLG. W/ SCH. 80 C/S PIPE x 8 3/16"LG.	MEDIA FILL
E	1	1"-3000# 316L S/S FULL CPLG.	AIR RELEASE/VAC.
F	1	30" T-BOLT CLOSURE ASSEMBLY W/ DAVIT PER: SHT-1094-C & SHT-1121-C W/ 5/16"THK. x 41 1/2"O.D. SA-455 PAD	MANHOLE
G	1	14" x 18" M. WAY W/ 1 1/4"THK. x 4"LG. SA-516-70 RING.	MANHOLE
H	2	3/4"-3000# 316L S/S FULL CPLG.	SAMPLE
J	1	2"-150# R.F.S.O. C/S FLG. W/ SCH. 80 C/S PIPE x 11 5/8"LG.	COMPRESSED AIR
K	1	3"-150# R.F.S.O. C/S FLG. W/ SCH. 80 C/S PIPE x 11 3/4"LG.	RUPTURE DISK
L	1	2"-3000# 316L S/S ELBOLET.	DRAIN



SHELL / HEADS	SHIELDING		M.A.W.P.	M.D.M.T.	ASME SECTION VIII	X-RAY	GALLONS	SERIAL NO.	N.B.
	INSIDE	OUTSIDE							
.500" SA-516-70	(.413" MIN.)	(.460" MIN.)	100 PSIG @ 125 °F	-20 °F @ 100 PSIG	DIV. 1, 2004 ADD 2004	RT-4 SPOT ALL L.S. & G.S.	7712	7712	15155

NOTE: 1) HYDRO @ 140 PSIG. MIN.
 2) NOZZLE DETAILS PER: WK-973-C-1B.
 3) EFFLUENT SUMP BOX PER: WK-973-C-2B.
 4) PIPE SUPPORT CLIPS PER: WK-973-C-3B.
 5) LEFT HAND TANK (F-1-4 & F-3-4).

WK-973-C
 FOR: WATER TANK
 SURFACE AREA = 507.5 SQ. FT.
 INSIDE: NEMEC SERIES 20
 POTAPOX 15-17 MILLS
 NO COATING IN
 BOTTOM 30" OF TANK
 OUTSIDE: NEMEC SERIES 27 FC
 TYPOXY 8-10 MILLS
 LEG-ZONE 28-15 KM.
 BY: E.S. / BILL SCALE: 3/8"=12"
ROY E. HANSON JR. MFG.
 1924 COMPTON AVE.
 LOS ANGELES, CA 90011

REV. 11-21-05
 DATE: 1-29-05